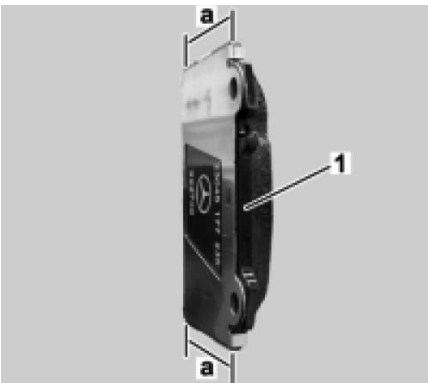




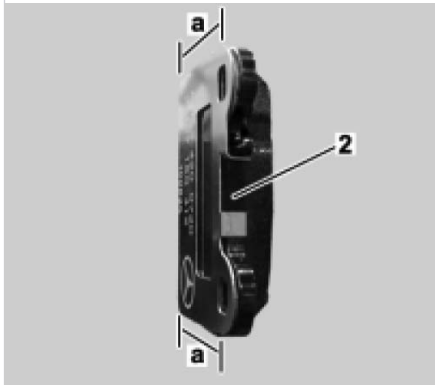
FACTORY SERVICE BULLETINS

Front Brake Squeal Models ML430, ML500 and ML55 AMG

Although squealing brakes are not the problem they once were, the condition still shows up from time to time. It may be aggravated by cool, damp weather in combination with light braking effort. Besides switching to improved friction material, it's been found that the judicious application of brake paste to the ends of the pad backing plates as shown can reduce the noise. If you receive customer reports in the above model vehicles of brake squeal emanating from the front of the vehicle, please order the improved brake pads available from your local M-B dealer's parts department, and perform the following procedure:

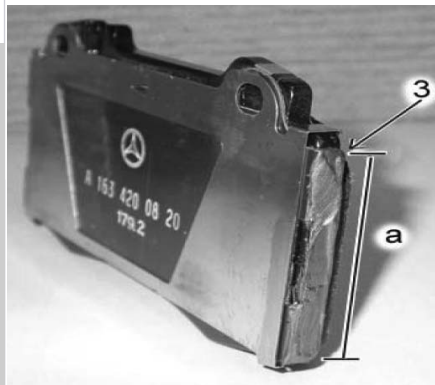


1. Remove the existing brake pads. Reference WIS document AR42.10-P-0161GI.



2. Apply brake pad paste to the ends of the replacement brake pads' backing plates as shown. Reference WIS document AR42.10-P-0161-01GH

Note: Do not allow any paste to contact brake pad friction surface or apply paste to any other areas besides those specified. Immediately remove any excess paste that contacts pad front or back surfaces.



3. Install the improved brake pads. Reference WIS document AR42.10-P-0161GI.

Parts Information

Qty.	Part Name	Part Number
1	Brake Pad Paste	A001 989 87 51
1	Brake Pad, Front	A163 420 10 20